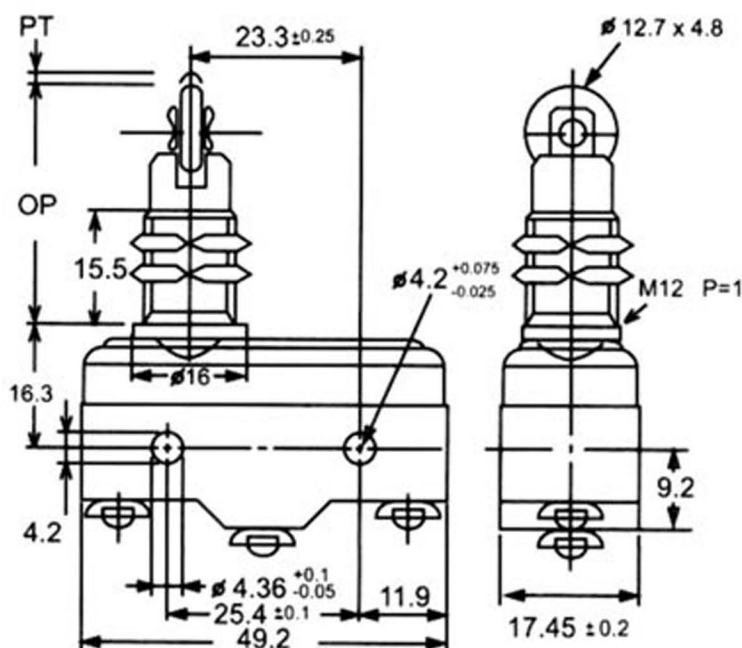


## Z-15GQ21



### Features :

General Standard

### Specifications:

**Operating Frequency:** 0.01mm-1m/sec

**Rated Voltage/Current:** 15/600VAC(UL file 240199)

**Service Life:** Mechanically  $1 \times 10^7$  (operations)  
Electrically  $5 \times 10^5$  (operations)

**Operating Temperature:** about  $-25 \sim +80$  ( $-4 \sim +176$ )

**Humidity:** <95%RH

**Degree of protection:** IP00/IP63

#### Dielectric Strength:

1000VAC for 1 min between current carrying parts  
2500VAC for 1 min between non-current carrying parts

## Z-15GQ21

### Operating Characteristics

• OF <sub>max</sub>	3,43N	• OT <sub>min</sub>	3,58mm
• RF <sub>min</sub>	1,12N	• MD <sub>max</sub>	0,05mm
• PT <sub>max</sub>	0,4mm	• OP	33,4±1,2mm